



# H SERIES CRAWLER DOZERS 550H/650H



# H Series Crawlers

## Durable Performance

Every construction job demands solid performance. And Case H Series crawlers deliver it – with a superior design to give you maximum reliability, comfort and performance day-to-day, year-to-year. From the heavy-duty blade and grille to the rugged long-life undercarriage, H Series crawlers are built to deliver years of demanding performance.

The H Series was designed with input from crawler operators like you. The first thing you'll notice is clear – outstanding visibility to the bottom of the blade and all around the machine. Next, get comfortable with a standard high-back suspension seat, fingertip high-low range control (650H only) and easy-to-read instruments.

When operating the H Series crawlers, you'll notice a significant productivity advantage over competitive models. The difference is Power Turn – the ability to put 100% power to either track while turning. This proven feature provides superior productivity and control on the job.

Three track configurations – Long Track (LT), Wide Track (WT) and Low Ground Pressure (LGP) – plus blade choices and optional front and rear counterweights let you select the right combination for the job and ground conditions.

No matter which model you choose, H Series crawlers will deliver a lifetime of high performance. To see what we mean, ask your Case dealer about the H Series today!



## 550H

67 Net Horsepower N.A. (50 kW)  
70 Net Horsepower Turbo (52 kW)  
78" Track on Ground (1.98 m)



## Table of Contents

Powertrain .....	4
Operator Environment .....	6
Undercarriage .....	8
Models/Blades .....	10
550H LT, WT, LGP .....	12
650H LT, WT, LGP .....	14
Customer Support .....	16
Standard/Optional Equipment ....	18



# 650H

75 Net Horsepower Turbo (56 kW)  
83" Track on Ground (2.11 m)

# H Series

# POWERTRAIN

## QUICK FACTS



- 4 Powerful, Proven Case Engines
- 4 Power Turn Increases Productivity With 100% Power to Either Track
- 4 Rugged, Long-Life Transmission
- 4 Fingertip High/Low Range Control (650H)
- 4 Standard Hand and Foot Controls

# Power to Perform

H Series crawlers have the power and strength you need to perform in any environment. With a rugged transmission, super-reliable Case engines, and an unbeatable Power Turn advantage, these crawlers will conquer every job from start to finish.

How do you get maximum productivity from a crawler? It's a combination of power and control. The Case Power Turn feature provides both, giving you more productivity than any other machine.

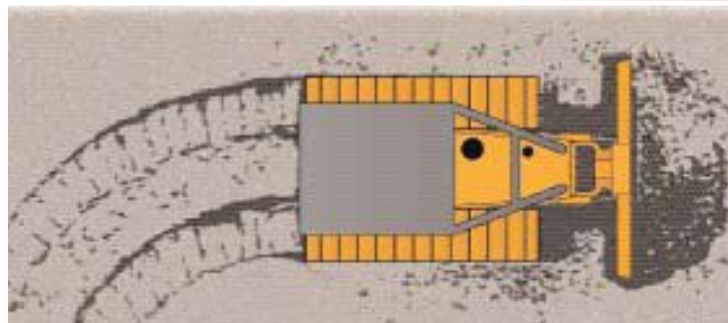
With one track in high speed and the other in low speed, you can maintain power to both tracks while turning. This means you can push a full load through a turn without losing control of the load, braking, or raising the blade. With 100% power to both tracks you can maintain speed throughout the turn, increasing productivity.

In addition, the Case H Series transmission works smoothly – a real benefit for precision finish grading. Four forward and reverse speeds with pressure-sensing modulation provide smooth transitions between speeds. A fingertip range control (650H) allows easy on-the-go shifting. And a full range of operating speeds can be matched to any type of rough or finish work. Versatile hand controls

and low effort brakes provide maximum control while operating, even on slopes. Easy access to all powertrain components saves time and money.

Superior Case engines deliver years of long life, and are backed by one of the best warranties available. They are reliable, durable and fuel-efficient, handling even the toughest applications with ease. Whether you're excavating tough clay or pushing a full load up a steep slope, you can rely on durable Case engines for cool, smooth performance.

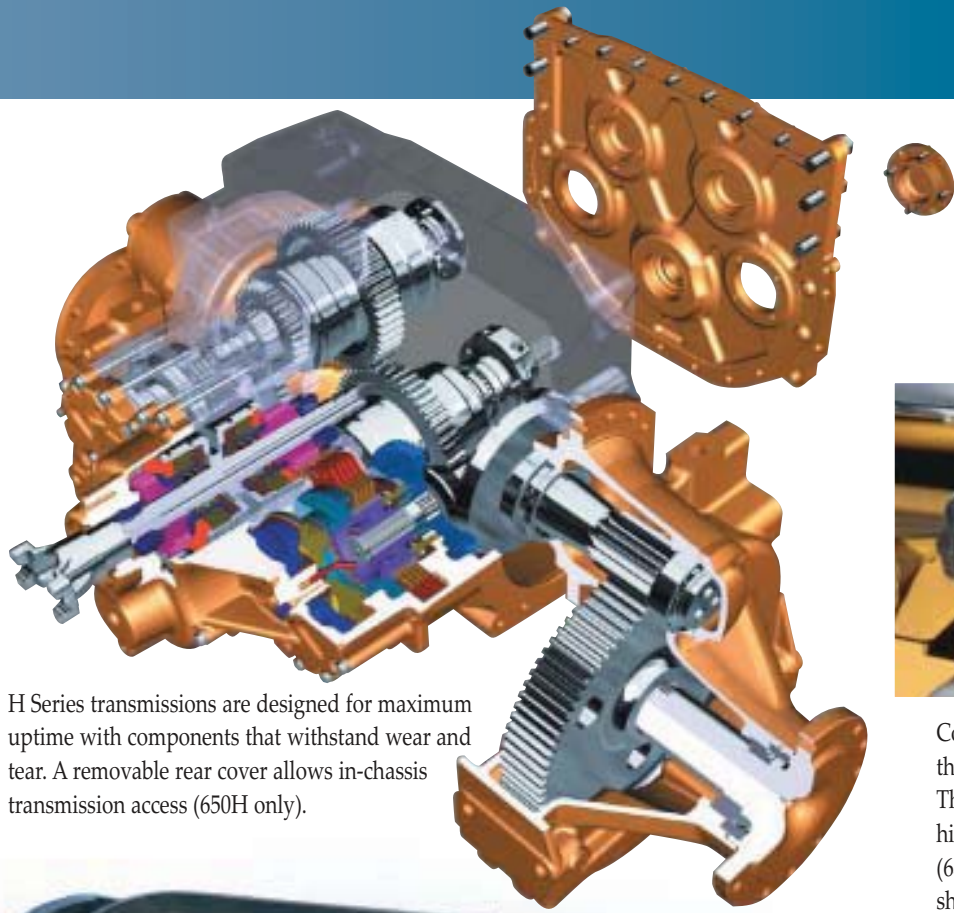
H Series crawlers are incredibly powerful, smooth, reliable, and easy to service. Compare the Case H Series with the competition and see the Case productivity advantage for yourself.



Save time and money with Power Turns – the ability to push a full load through a turn.



Case engines feature a parent metal bore design with integral water pump and oil cooler. This simple, proven design delivers long life and ease of maintenance.



H Series transmissions are designed for maximum uptime with components that withstand wear and tear. A removable rear cover allows in-chassis transmission access (650H only).



Control your speed with the touch of a button. The convenient high/low range control (650H only) makes shifting easy.



## H Series

# OPERATOR ENVIRONMENT

### QUICK FACTS

4 Excellent View of the Blade and Work Area

4 Extra Wide Mirror

4 High / Low Range Control (650H)

4 Precise, Convenient Controls

4 Fully Adjustable Standard Suspension Seat

# You Can See the Difference

Step right up into the seat of an H Series crawler and you'll clearly see the advantages of this outstanding design. The H Series operator's platform was designed with the help of customer input, and it shows in every detail.

A great view of the blade edge and all around the machine means you can work better and faster. A large, wide rearview mirror, easy-to-read instrumentation and comfortable, ergonomic controls let you operate with ease.

Precision controls give you complete power over the work site. Control track speed through hand and foot controls with precision movement for fine grading and finish work. The 550H uses pedals on the floor, while the 650H features a fingertip button for on-the-go shifting under load.

The workday is more comfortable when you're sitting in the fully adjustable suspension seat. It features a high back for extra support and adjustable arm rests. Convenient foot rests provide extra support for slope work.

For added comfort and convenience, consider a deluxe air suspension seat, cushioned leg pads or an optional ROPS heater. Optional rear and side brush screens provide protection in forestry applications. For the ultimate work environment, choose an H Series cab model with large windows for exceptional visibility to the blade and job site.

Convenience features make your life easier. A 12-volt power outlet is available for cell phones, radios, strobes or lasers. And a heavy-duty steel lock-up panel folds down to protect against vandalism.



Choose from popular U-pattern or optional in-line direction controls.



ce

The H Series tapered hood design provides wide open visibility to the blade and surrounding work area.



An optional field-installed decelerator provides low-effort control for long pushes and precise throttle speed for maneuvering in confined areas.

## H Series

# UNDERCARRIAGE

## QUICK FACTS

- 4 Heavy-Duty Construction
- 4 Case Extended Life Track (Optional)
- 4 Easy Access for Cleaning
- 4 Clipped Grousers

# The Performance to Move

Equipping your crawler with the right undercarriage will maximize productivity and minimize operating expense. All H Series components are built to last, so choose the system that fits your needs, and be confident you're getting the best.

The optional Case Sealed Track (CST) has metal seals on both sides of the bushing to keep abrasive material out and extend track life (550H only).

Case Lubricated Track (CLT – standard on all units) is sealed and lubricated with an oil reservoir in each pin. The pin and bushing are sealed to keep contamination out while maintaining lubrication. This eliminates wear between the pin and bushing and provides added durability.

For abrasive, low-impact conditions that cause excessive bushing and sprocket wear, the Case Extended Life Track (CELT) option is the best choice. CELT uses a large diameter, hardened bushing that is free to rotate on the standard bushing. This allows wear to be distributed over the entire circumference of the outer bushing. And because it's free to rotate, it eliminates the scrubbing action between the sprocket and bushing, increasing track life up to 50%. CELT is exceptionally durable in abrasive soil conditions, giving you more valuable time on the job.

Rubber tracks (550H only) prevent surface damage, minimize vibration and reduce noise. They're good for work on finished surfaces, sidewalks or driveways. Positive drive eliminates slippage between the sprocket and rubber track. Hydraulic track adjustment can be made from the operator's seat.

H Series undercarriages are built for precise, stable and low cost operation. Heavy-duty pins, bushings and rollers provide long-term, hassle-free track life. And easy access hydraulic track adjusters make adjustment quick and simple. Standard front and rear track guides keep the chain in alignment. Clipped track shoes provide improved turning capability while minimizing stress on the powertrain.

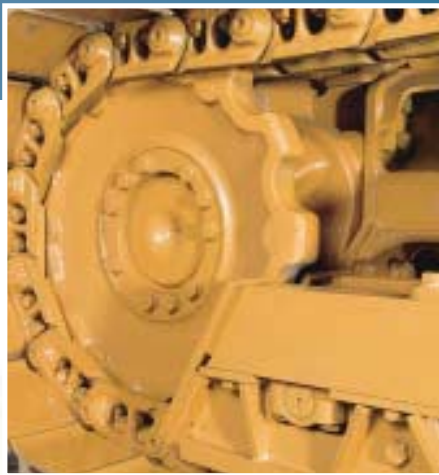
Optional rubber tracks (550H) protect finished surfaces.





# ve Mountains

Case H Series crawlers offer a wide selection of high-quality undercarriage configurations. Talk to your dealer to select the best track system for your needs.



Large, heavy-duty undercarriage components are built strong to extend life.



An easy access cleanout area makes undercarriage maintenance easier, saving valuable time.



# H Series

# MODELS/BLADES

## QUICK FACTS

4 Long Track (LT), Wide Track (WT) and Low Ground Pressure (LGP) Models

4 Blade and Weight Choices

4 Heavy-Duty Blade and C-Frame

4 Fast, Powerful Hydraulics

# Custom Solutions to Me

In today's competitive business environment, it pays to have options. Case H Series crawlers offer a wide range of choices to handle almost any dozing application. Pick the H Series model that's right for you, and don't stop there. Customize your machine with the right blade, shoes, tracks, weights, options and attachments. The result? Performance that's made for you.

Three model configurations allow you to pick the right machine for your needs.

**Long Track (LT)** – Long Track crawlers have a narrow width for superior maneuverability and convenient transport.

**Wide Track (WT)** – The stability-enhancing wide track accommodates a wider blade for finish grading.

**Low Ground Pressure (LGP)** – The LGP track maximizes flotation while providing superb blade coverage.

Great blades deliver great performance. The H Series 6-way power/angle/tilt blade gives precise movement for finish work. A convenient float position increases versatility. And the H Series high volume hydraulic pump delivers fast blade response for increased productivity.

Choose from three blade sizes – narrow, intermediate and wide. Blade pitch can be adjusted forward for carrying big loads and easy shedding of sticky material on slopes, or rearward for aggressive cutting. A sealed ball and socket pivot joint keeps dirt out to maximize life.

What's your ideal weight? H Series crawlers offer sound stability with lots of track on the ground. Operating weight can be matched to ground conditions with optional weights. Add front or rear weights to increase productivity, or remove extra weight to increase flotation.

	Track Gauge	Grouser	Blade Width	Blade Capacity	Cut Reach	Cast Reach
 <b>550H LT</b>	53" (1.35 m)	16" (406 mm)	96" (2.44 m)	1.7 yd <sup>3</sup> (1.26 m <sup>3</sup> )	2.8" (71 mm)	15.2" (386 mm)
 <b>550H WT</b>	64" (1.63 m)	20" (508 mm)	110" (2.79 m)	1.9 yd <sup>3</sup> (1.45 m <sup>3</sup> )	1.6" (41 mm)	14.1" (358 mm)
 <b>550H LGP</b>	64" (1.63 m)	26" (660 mm)	110" (2.79 m)	1.9 yd <sup>3</sup> (1.45 m <sup>3</sup> )	-1.3" (-33 mm)	11.1" (282 mm)
 <b>650H LT</b>	57" (1.45 m)	16" (406 mm)	98" (2.49 m)	2.0 yd <sup>3</sup> (1.53 m <sup>3</sup> )	1.4" (36 mm)	14.5" (368 mm)
 <b>650H WT</b>	67" (2.90 m)	22" (558 mm)	114" (2.90 m)	2.4 yd <sup>3</sup> (1.84 m <sup>3</sup> )	0.6" (15 mm)	15.7" (399 mm)
 <b>650H LGP</b>	67" (2.90 m)	25" (635 mm)	120" (3.05 m)	2.5 yd <sup>3</sup> (1.91 m <sup>3</sup> )	1.9" (48 mm)	14.9" (378 mm)

# et Your Needs

Expand your capabilities with crawler attachments for special applications. See your Case dealer for a full list of choices.



These blades are built tough. A recessed cutting edge allows material to slide freely on and off the blade, increasing productivity. The backside is reinforced with thick metal braces and bolts for a durable, long lasting edge.

# 550H

# 550H

## QUICK FACTS



4 67/70 Net Horsepower  
(50/52 kW)

4 Track on Ground 78" (1.98 m)

4 Blade Capacity 1.7 yd<sup>3</sup> to  
1.9 yd<sup>3</sup> (1.26 to 1.45 m<sup>3</sup>)

4 Operating Weight 14,300 to  
14,900 lbs (6486 to 6758 kg)

# Big Performance in a Sm

If you need a crawler for blade work around new residential construction or to do finish grading, the Case 550H is the crawler for you. The compact C-frame design and sleek styling offer durability, visibility and maneuverability. And the size of the Case 550H makes it easy to transport. It's an excellent crawler for anyone seeking versatility and value.

Control, visibility and ease of operation are important to crawler operators. The horizontal lift cylinders on the Case 550H offer a clear view of the work area.

For added control and versatility, the Case 550H has high capacity blades with 2-position pitch, and if you work around driveways and sidewalks that require minimal surface damage, the optional rubber track will make your job easier.

Add easy-to-read instrumentation and ground level serviceability, and you'll see why the new Case 550H crawler is an excellent choice.



With superior maneuverability, visibility and productive Case Power Turns, the 550H delivers top performance to every job site.



# all Package



# 650H

# 650H

## QUICK FACTS



4 75 Net Horsepower (56 kW)

4 Track on Ground 83" (2.11 m)

4 Blade Capacity 2.0 yd<sup>3</sup> to  
2.5 yd<sup>3</sup> (1.53 to 1.91 m<sup>3</sup>)

4 Operating Weight 16,100 to  
17,400 lbs (7303 to 7893 kg)

# Outstanding Power, Prod

Looking for the right combination of speed, power, weight and value? Look no further – the Case 650H is a versatile, powerful machine that tackles a tremendous amount of work with ease and efficiency.

High performance starts with the powertrain. The 650H features a strong, reliable Case 4T-390 engine that's packed with horsepower and runs with ease. The redesigned powershift transmission is super smooth for superior operation and ease of maintenance. And a convenient fingertip range control allows on-the-go shifting under load – an impressive feature that lets operators focus on the details of getting the job done.

Productivity – it's yours. The 650H's ideal size and weight make it a versatile performer that's perfect for all kinds of jobs. Fast, responsive hydraulics make blade movements quick and precise, and the unique Case Power Turn feature delivers exceptional performance, speed and maneuverability. Choose the configuration that works for you - Long Track, Wide Track or Low Ground Pressure, with your choice of blade size, track type and attachments.

When you've got a Case 650H dozer, you get superior value. On the job it delivers rock solid performance and productivity. And the investment is a good one – H Series rugged components and convenient maintenance features significantly reduce operating costs.

Want to know more? Ask your Case dealer about the benefits of owning a high performance crawler with superior value – the Case 650H.



# Productivity and Value

H Series cab models feature outstanding visibility and are available with heat and/or air, defroster, tinted glass, and front and rear wipers.



## H Series

# CUSTOMER SUPPORT

## QUICK FACTS

4 Customized Finance Packages

4 Buy, Lease or Rent

4 Flexible Protection Plan

4 Scheduled Maintenance Programs

# Your Case Dealer Has the

Trust your Case dealer to take care of your equipment and your business long after the sale. From financing to full service maintenance programs, your Case dealer provides expert advice and outstanding service to keep your business running smoothly.

Case understands that flexible financing options are a must. Through Case Credit, your dealer has a variety of programs to help you rent, lease or own an H Series crawler dozer. The Case Credit Vantage Account™ provides even more flexibility by giving qualified customers a generous line of credit for additional parts, service and rental buying power.

**CASE CREDIT**

Tough, reliable Case construction equipment is backed by industry-leading warranty protection. In addition, the Case Flexible Protection Plan allows you to choose the right amount of protection for your investment.

When you're at work, don't let maintenance needs hamper your productivity. The Case Maintenance Inspection (CMI) program provides expert service at your convenience, helping you preserve valuable uptime.

If a machine needs repair, your Case dealer is ready to help. With knowledgeable, factory-trained technicians and in-stock parts support, your Case dealer can keep you up and running, maximizing your productivity.

From parts and service to financing and protection plans, your Case dealer has helpful solutions for your business needs. Call now to learn more!

**Uptime. All the Time.™**





# ne Right Tools

The H Series heavy-duty grille is constructed of rugged 3/8" (10 mm) thick steel and tilts forward for easy access to the radiators. Service doors on the right and left sides provide ground level service access.



# STANDARD/OPTIONAL

## H Series

### Engine

Case 4-390 diesel  
Case 4T-390 turbo diesel  
C700 CCA 12-volt battery  
Anti-sandblast radiator  
Engine side panels  
Radiator sight gauge

550H  
650H

### Operator Environment

ROPS/FOPS canopy  
Vinyl suspension seat with back adjustment  
Adjustable armrests  
Foot rests  
2" (51 mm) retractable seat belt  
Tool storage area

### Powertrain

4F/4R Powershift transmission  
Fingertip range shift  
"U" pattern forward/reverse lever  
Automatic SAHR parking brake  
Oil-cooled power disc brakes

### Blade

2-position mechanical pitch adjustment  
Single lever lift/angle/tilt control  
Reversible heavy-duty cutting edges

### Undercarriage

Hydraulic track adjusters  
Case lubricated track chain  
Permanently lubricated track and carrier rollers  
Track adjuster guard  
Track guides (front and rear)

### Other

Backup alarm  
Horn  
Anti-vandalism package  
Large, convex mirror  
Pre-cleaner  
Adjustable lights – 2 front, 2 rear  
Rear counterweight/transmission guard (LT only)  
Drawbar (LT only)

### Engine

Case 4T-390 diesel  
Dual 12V battery (1400 CCA)  
Anti-sandblast radiator  
Reversible fan

550H  
650H

### Operator Environment

Cab (w/heater, defroster, front windshield washer and lights)  
Air conditioner (cab units only)  
ROPS heater  
3" (76 mm) seat belt  
Deluxe air suspension seat  
Decelerator  
Inline shift pattern  
ROPS headliner  
ROPS enclosure (Allied)  
Leg cushion pads

### Hydraulics

4-spool hydraulic valve for field-installed ripper

### Rear Mounted Equipment

Ripper, 5 slot with 3 shanks

### Blades

96" (2.44 m) LT  
110" (2.79 m) WT, LGP  
98" (2.5 m) LT  
104" (2.6 m) WT w/16" (406 mm) shoes  
114" (2.9 m) WT w/22" (559 mm) shoes  
120" (3.0 m) WT w/26" (600 mm) shoes

### Guards

Sweeps  
Center rock guard  
Final drive bottom  
Final drive seal  
Rear transmission guard\*  
Heavy-duty bottom transmission

\*for 550H WT and LGP only

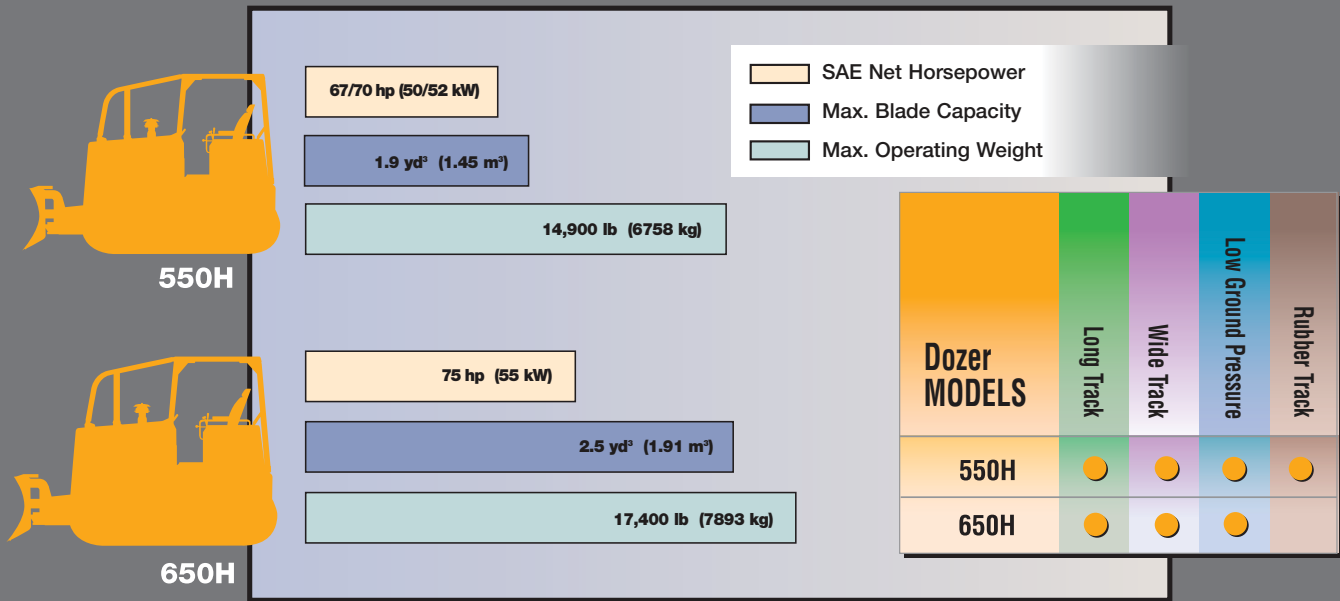
### Screens

Rear ROPS and cab  
Side ROPS  
Radiator brush

### Other

Additional weight, front  
Additional weight, rear  
Drawbar (550H WT & LGP)  
Sprocket, relieved (LT w/CLT only)  
Special paint  
Front pull hook  
Spark-arresting muffler  
Fan, reversible  
Case Extended Life Track (CELT)  
Cold start aid





### SAFETY NEVER HURDLE™

Always read the Operator's Manual before operating any equipment. Inspect equipment before using it, and be sure it is operating properly. Follow the product safety signs and use any safety features provided.

**NOTE:** All specifications are stated in accordance with SAE Standards or Recommended Practices, where applicable.

**IMPORTANT:** Case Corporation reserves the right to change these specifications without notice and without incurring any obligation relating to such change. This literature has been published for world-wide circulation. Availability of some models and equipment builds vary according to the country in which the equipment is used. The illustrations and text may include optional equipment and accessories and may not include all standard equipment. Your Case dealer/distributor will be able to give you details of the products and their specifications available in your area.

Attachments from other manufacturers are shown for illustration only. Case Corporation does not warrant the safety or reliability of these attachments.

© 2000 CASE CORPORATION. All Rights Reserved. Case and Case Credit are registered trademarks of Case Corporation.

#### CASE CORPORATION

700 STATE STREET  
RACINE, WI 53404 U.S.A.

#### CASE CANADA CORPORATION

3350 SOUTH SERVICE ROAD  
BURLINGTON, ON L7N 3M6 CANADA

#### CASE EUROPE HEADQUARTERS

EUROPE, AFRICA, MIDDLE EAST  
18, PLACE DES NYMPHEAS  
ZI PARIS NORD 11  
95915 ROISSY CDG CEDEX FRANCE

#### CASE LATIN AMERICAN HEADQUARTERS

700 STATE STREET  
RACINE, WI 53404 U.S.A.

#### CASE ASIA/PACIFIC REGION CASE CORPORATION PTY. LTD.

31-67 KURRAJONG AVENUE  
ST. MARY'S  
NEW SOUTH WALES 2760 AUSTRALIA