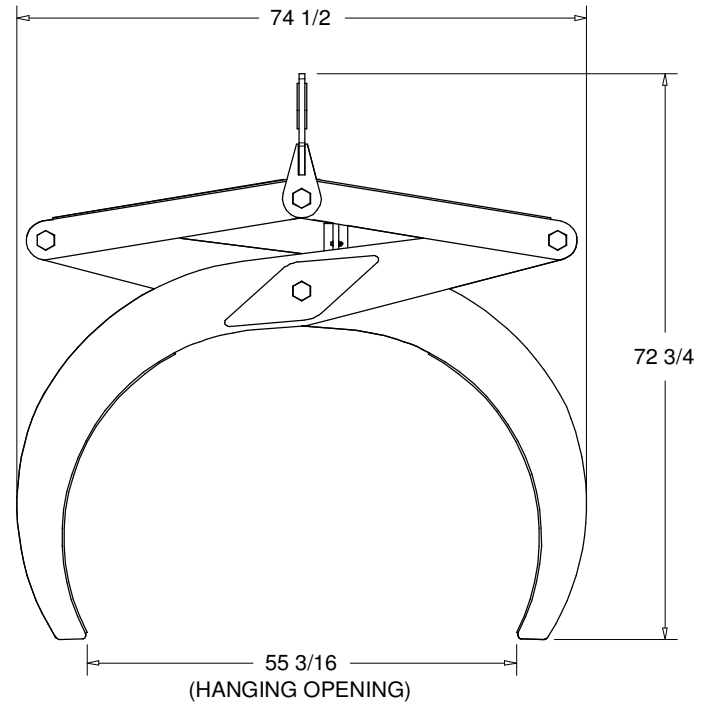


CAPACITY: 7000 LBS.
 WEIGHT: 1380 LBS
 MAX. PIPE O.D.: 52.50"
 MIN. PIPE O.D.: 42.00"



DRAWN BY:
 T. FREIDHOFF
 DATE:
 9/12/12



KENCO CORP.
 170 STATE ROUTE 271
 LIGONIER PA 15658

(800)653-6069
 WWW.KENCO.COM

THE INFORMATION PROVIDED WITHIN THIS DRAWING IS THE PROPERTY OF KENCO CORP. ANY REPRODUCTION, TRANSMITTAL, OR USAGE OF ANY KIND IS PROHIBITED WITHOUT WRITTEN PERMISSION.

DIMS. = IN.
 TOLERANCES:
 FRACT.: ±1/16"
 ANG.: MACH ±1°
 BEND ±1°
 DEC.: X.XX ±.03
 X.XXX ±.01

DESCRIPTION
 PL7000
 SPEC. SHEET

REVISION	
1	
DWG.	
1	