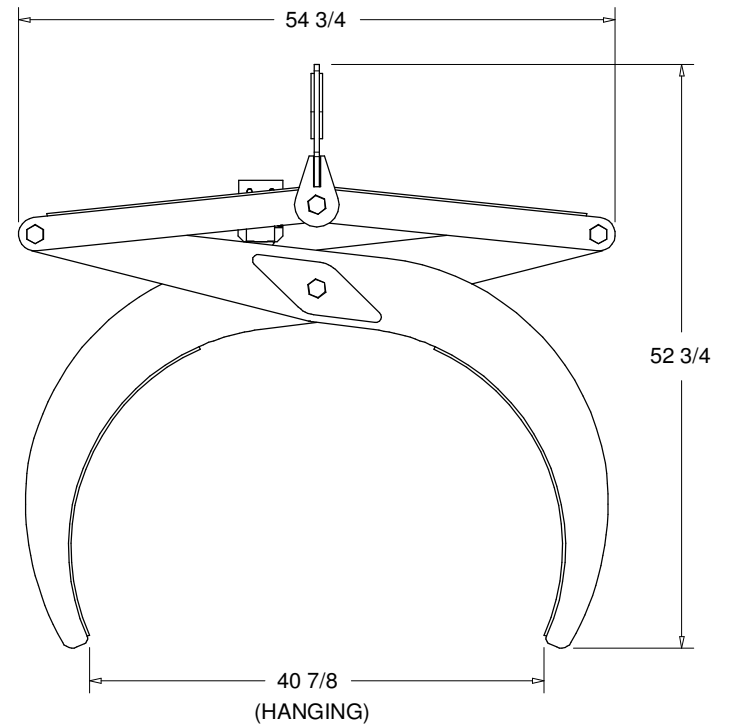


CAPACITY: 3500 LBS.
 WEIGHT: 580 LBS.
 MAX. PIPE O.D.: 38.5"
 MIN. PIPE O.D.: 30.0"



DRAWN BY:
 T. FREIDHOFF
 DATE:
 6/13/12



KENCO CORP.
 170 STATE ROUTE 271
 LIGONIER PA 15658

(800)653-6069
 WWW.KENCO.COM

THE INFORMATION PROVIDED WITHIN THIS
 DRAWING IS THE PROPERTY OF KENCO CORP. ANY
 REPRODUCTION, TRANSMITTAL, OR USAGE OF ANY
 KIND IS PROHIBITED WITHOUT WRITTEN PERMISSION.

DIMS. = IN.

TOLERANCES:

FRACT.: $\pm 1/16"$
 ANG.: MACH $\pm 1^\circ$
 BEND $\pm 1^\circ$
 DEC.: X.XX $\pm .03$
 X.XXX $\pm .01$

DESCRIPTION

PL3500
 SPEC. SHEET

REVISION

1	
DWG.	
1	