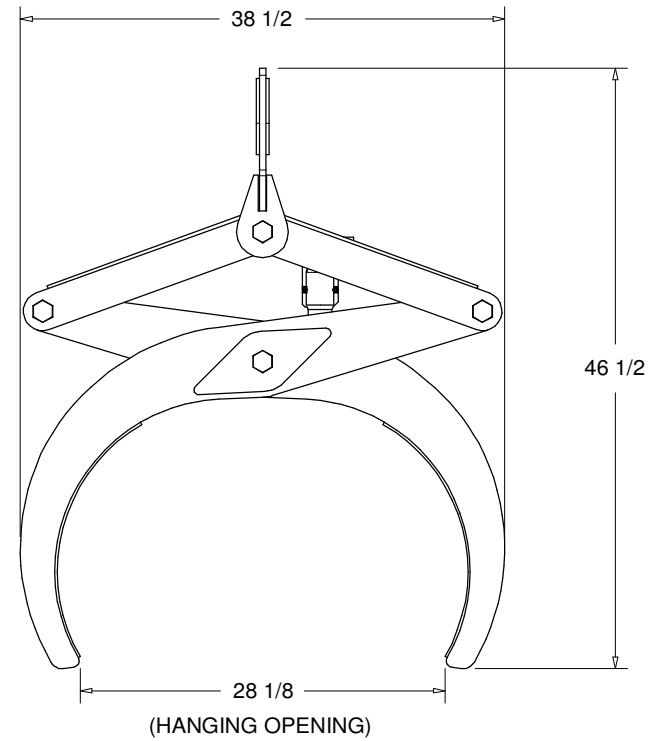


CAPACITY: 2750 LBS.  
 WEIGHT: 350 LBS.  
 MAX. PIPE O.D.: 25.8"  
 MIN. PIPE O.D.: 18.0"



DRAWN BY:  
 T. FREIDHOFF  
 DATE:  
 9/10/12



KENCO CORP.  
 170 STATE ROUTE 271  
 LIGONIER PA 15658

(800)653-6069  
 WWW.KENCO.COM

THE INFORMATION PROVIDED WITHIN THIS DRAWING IS THE PROPERTY OF KENCO CORP. ANY REPRODUCTION, TRANSMITTAL, OR USAGE OF ANY KIND IS PROHIBITED WITHOUT WRITTEN PERMISSION.

DIMS. = IN.  
 TOLERANCES:  
 FRACT.:  $\pm 1/16"$   
 ANG.: MACH  $\pm 1^\circ$   
       BEND  $\pm 1^\circ$   
 DEC.: X.XX  $\pm .03$   
       X.XXX  $\pm .01$

DESCRIPTION  
 PL2750  
 SPEC. SHEET

REVISION	
1	
DWG.	
1	