


STUMP CUTTERS FOR EXCAVATORS

SCL/EX/VT

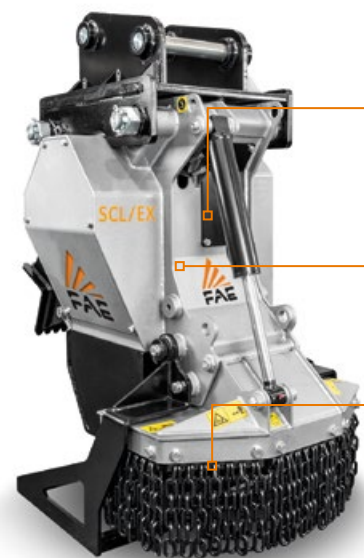
Disc stump cutters for excavators.

The SCL/EX/VT is for excavators ranging from 7 to 15 t. Thanks to the heavy duty and larger disk, stump removal is made easier in any situation, even when using

medium and small size excavators. This unit is compact, high performing and is equipped with a hydraulic door to control the exit of debris.

 28-45 gal/min

 7-15 t



Access panel

VT motor

adjustable motor to obtain the maximum performance from any excavator, protected from dirt and damage



Front hydraulic hood with bolt-on chains



Motor enclosed in frame
protected from dirt and damage

Adjustable supporting service stand
for storing the machine when not in use

STANDARD EQUIPMENT

110/60cc variable torque hydraulic piston motor (28-45 gpm)	Poly Chain® Belt Transmission
Flow control system valve	Bulkhead for hydraulic connections
Safety and anticavitation valve	Hydraulic front hood
Enclosed / anti dust machine body	Screwed protection chains
Motor enclosed in the frame	Supporting service leg

OPTIONS

80/50cc variable torque hydraulic piston motor (20-32 gpm)	Rear fixed heel
Customized setting hydraulic motor	Customized attachment bracket with pins
Diverter valve (plug in and play)	Customized attachment bracket with pins and leg
Not supplied with hoses	Case drain required

MODEL

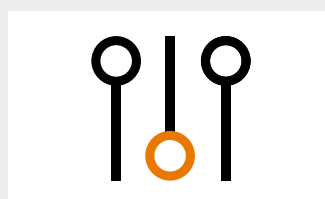
	SCL/EX/VT
Flow rate (gal/min)	28-45
Pressure (PSI)	2600-5080
Excavator weight (t)	7-15
Total width (in)	36
Weight (lbs)	1664
Rotor diameter (in)	26
No. teeth type L/1+L/2	15+15

Data refers to machine as standard set-up. Options may have reflects on weights and dimensions. The technical data in this catalogue may be altered without prior notice.

MAIN OPTIONS



Front fixed thumb



Customized setting hydraulic motor



Customized attachment bracket with fixed thumb



Customized attachment bracket

DISC ROTOR



TOOTH L/1
(standard)



TOOTH L/2
(standard)